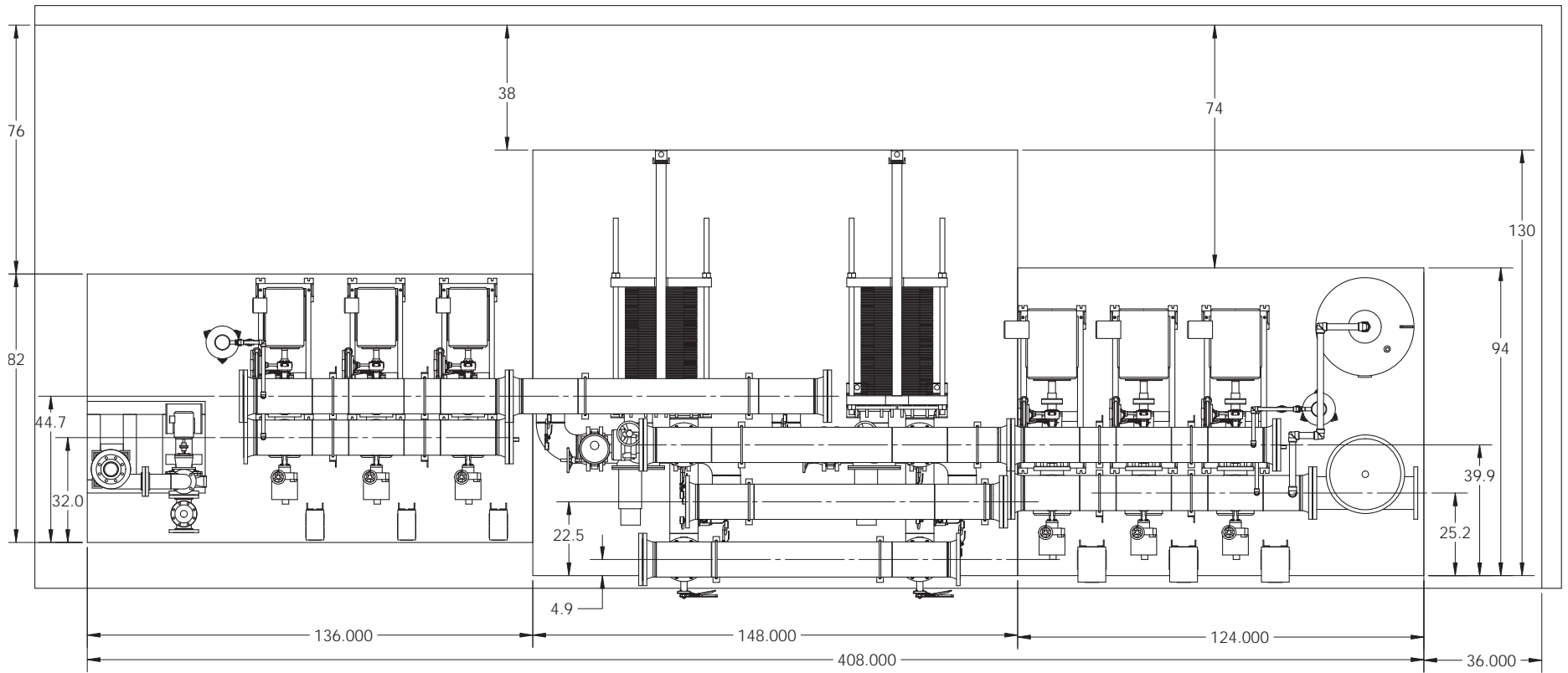
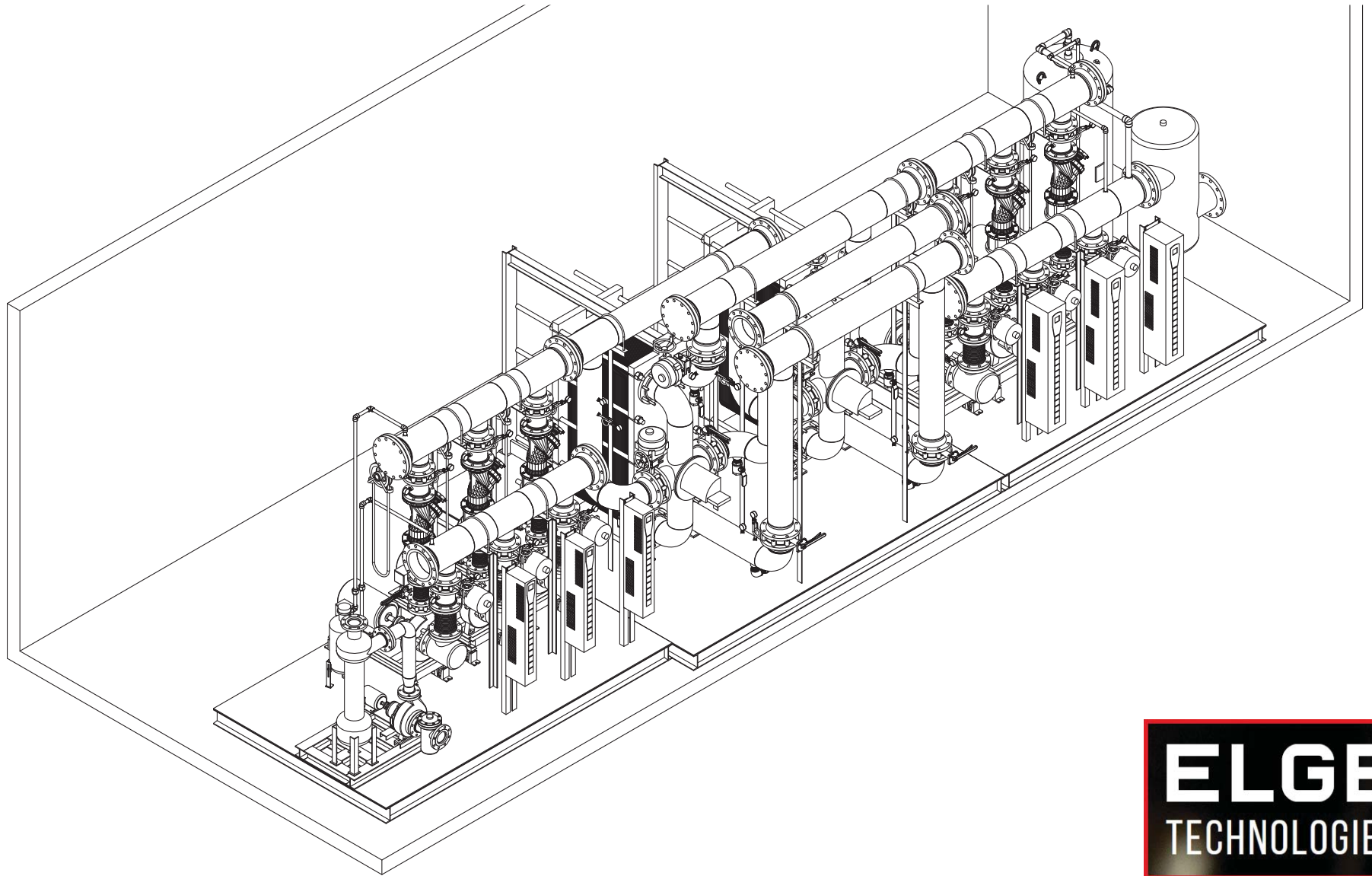


SKID PACKAGING SYSTEMS
601 LEXINGTON AVE NY, NY

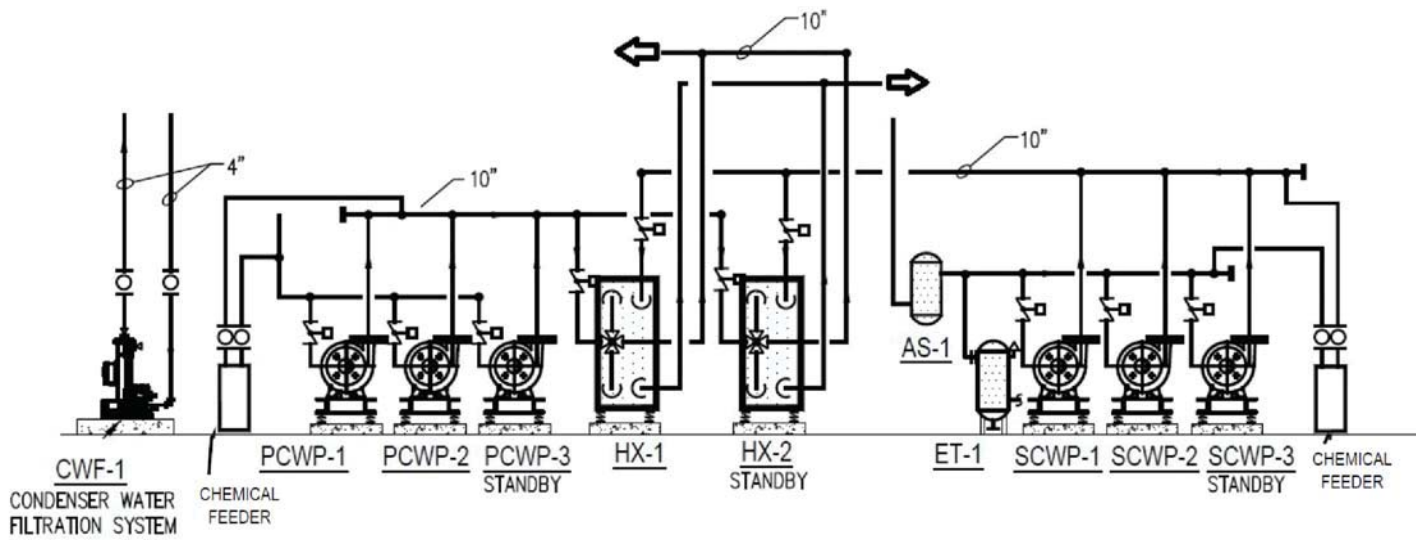




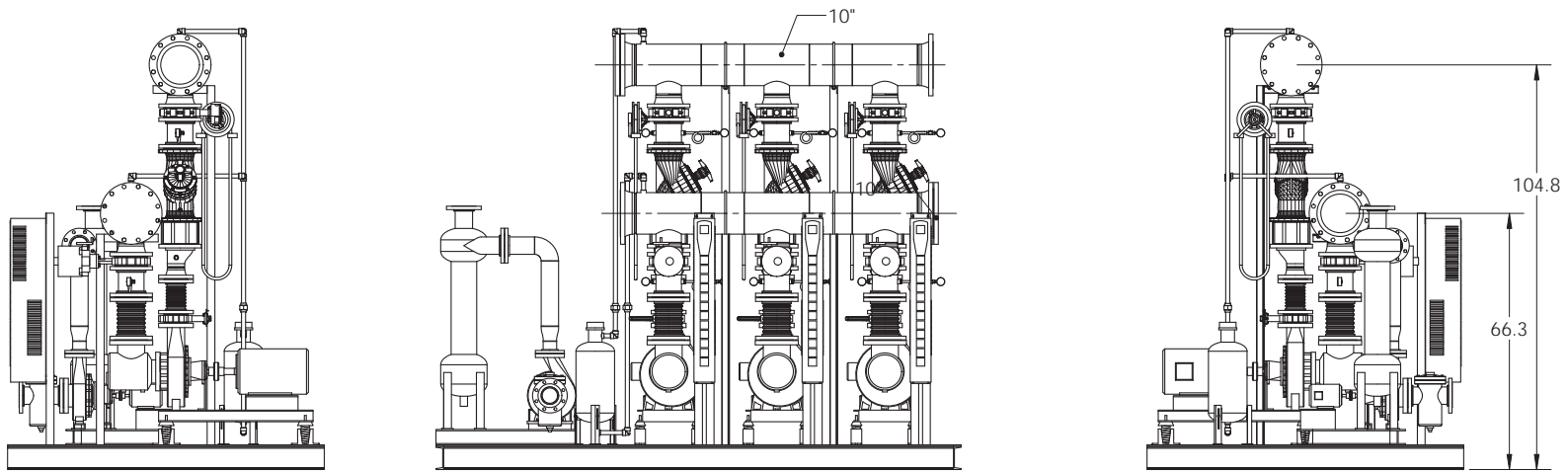


SINGLE LINE DIAGAM

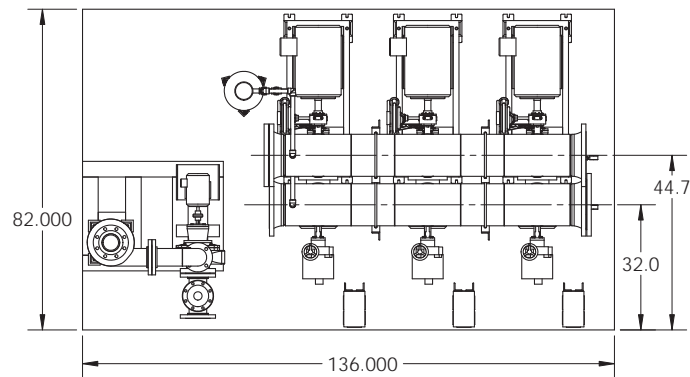
3 SKID PACKAGE



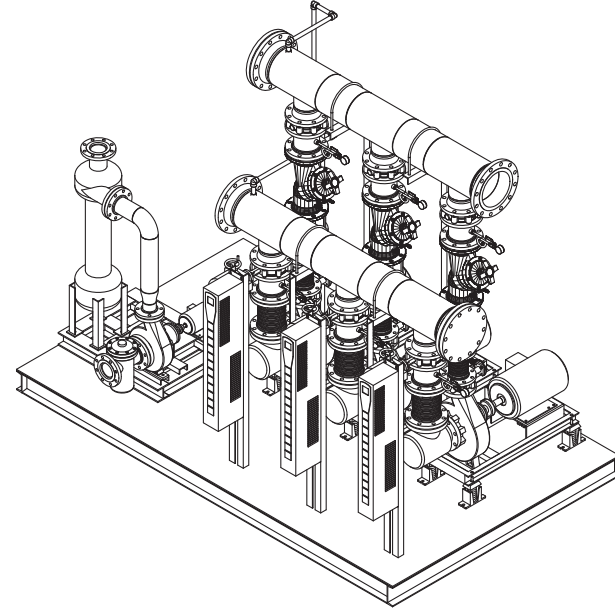
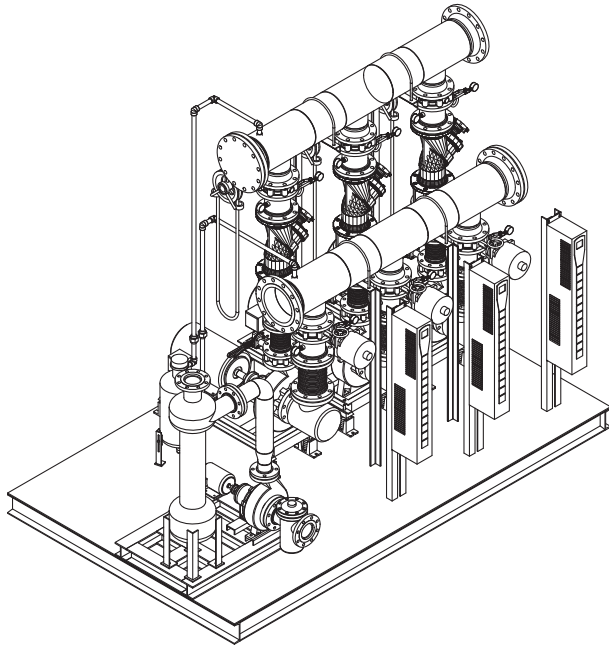
ELGE TECHNOLOGIES L.L.C.

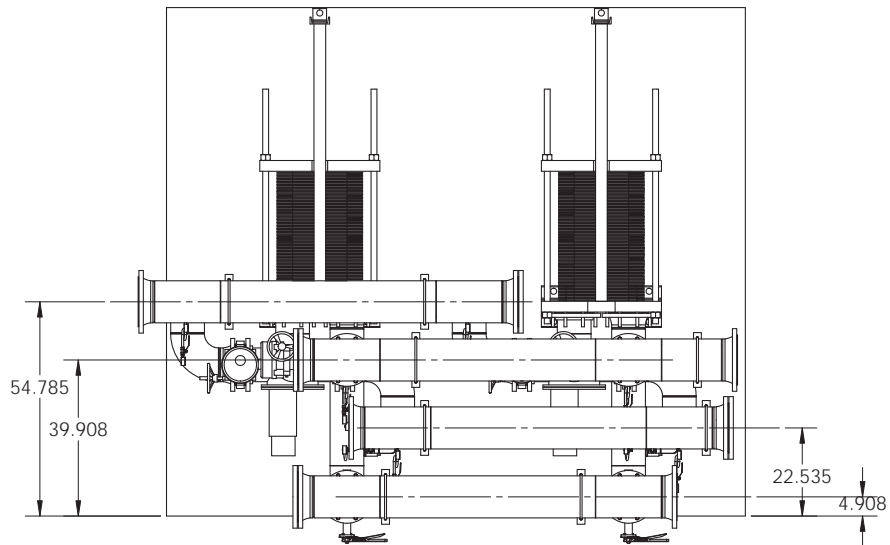
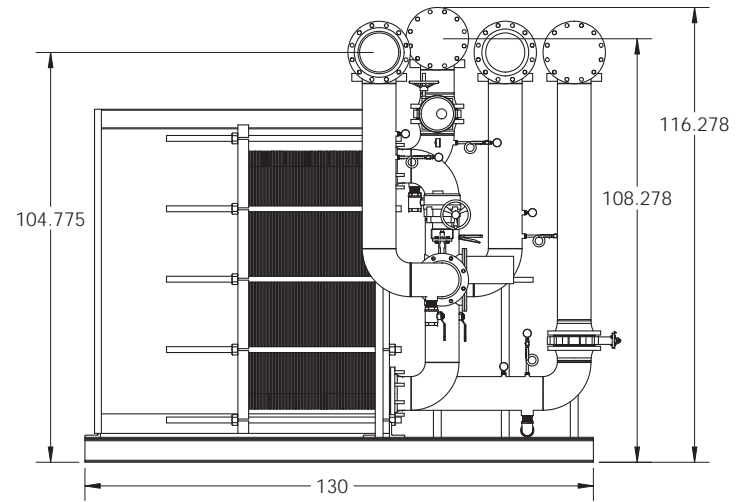
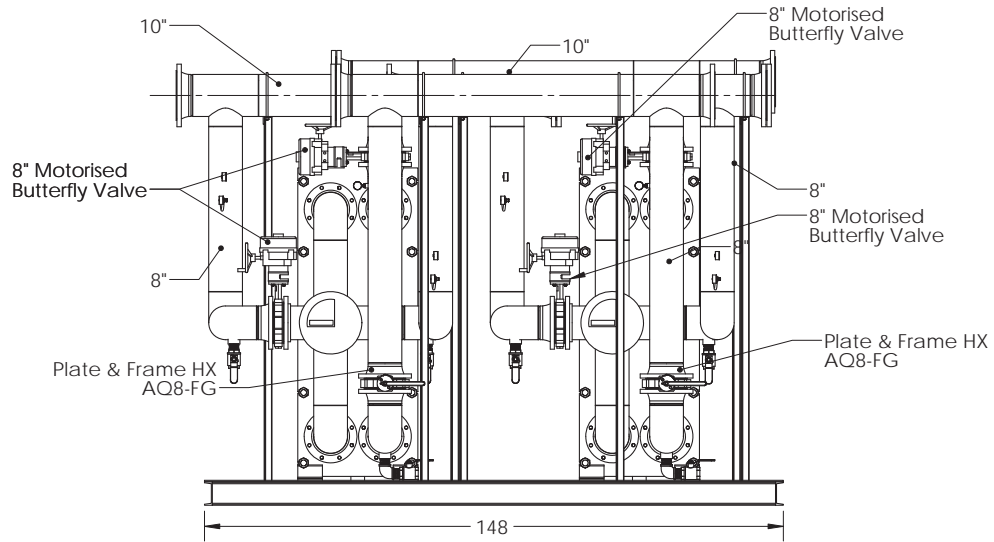


SKID A - PRIMARY PUMPS PCWP- 1,2,3



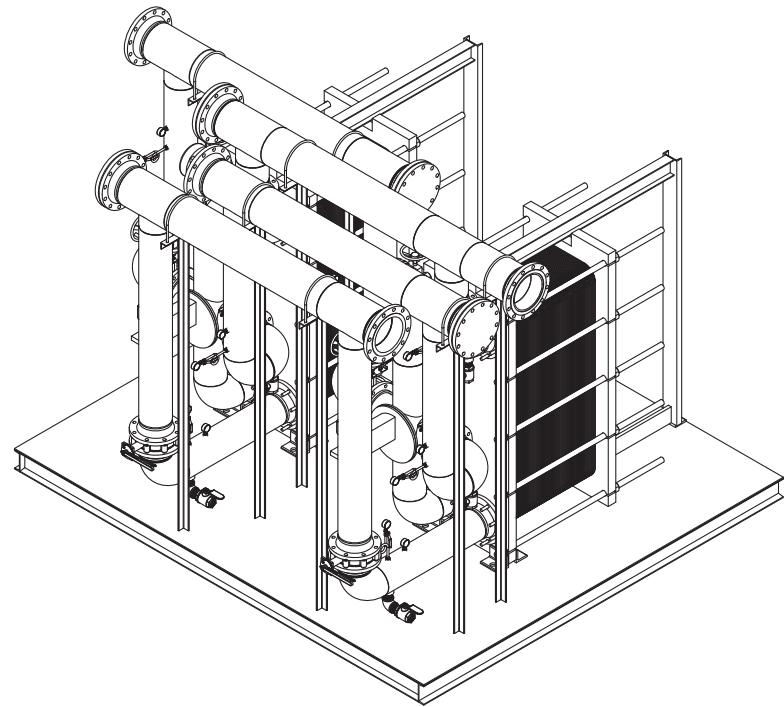
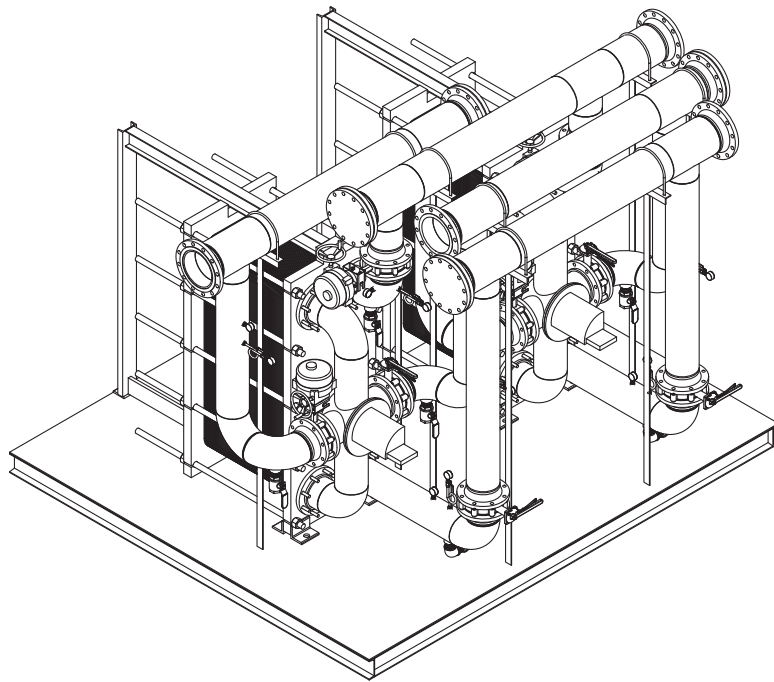
SKID A PRIMARY PUMPS PCWP- 1,2,3



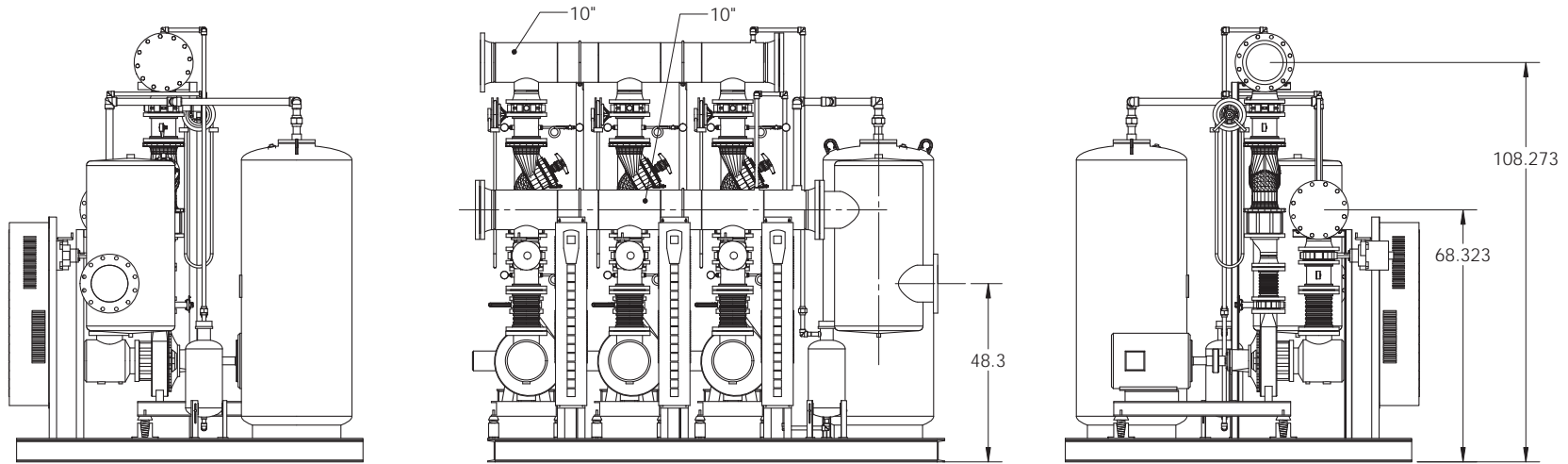


SKID B - HEAT EXCHANGERS

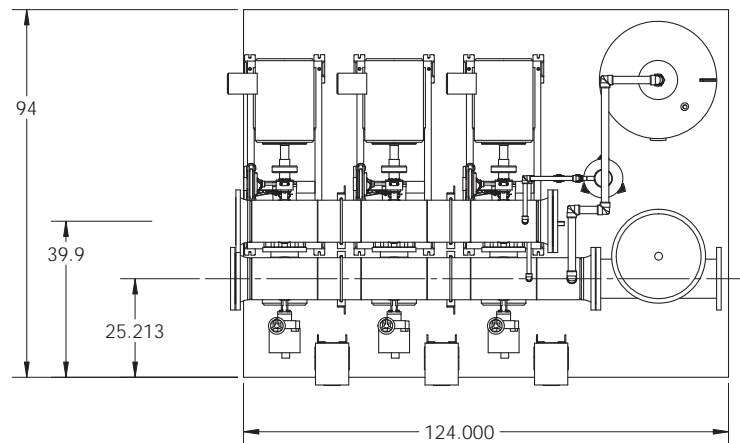


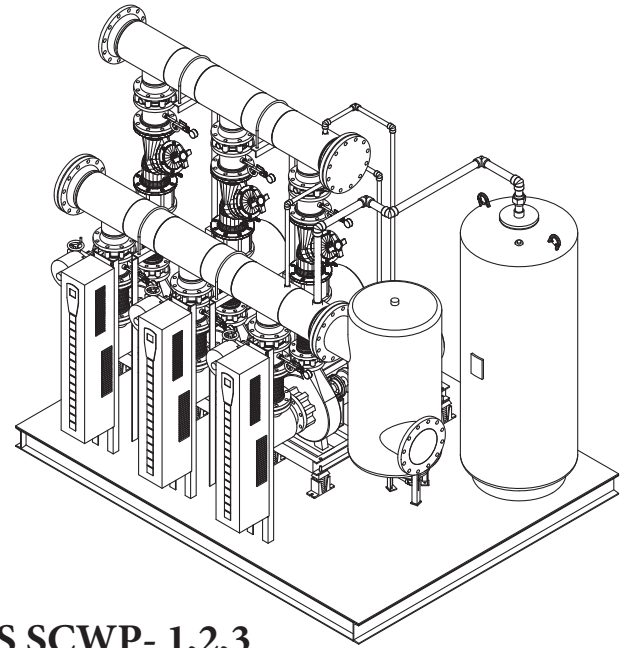
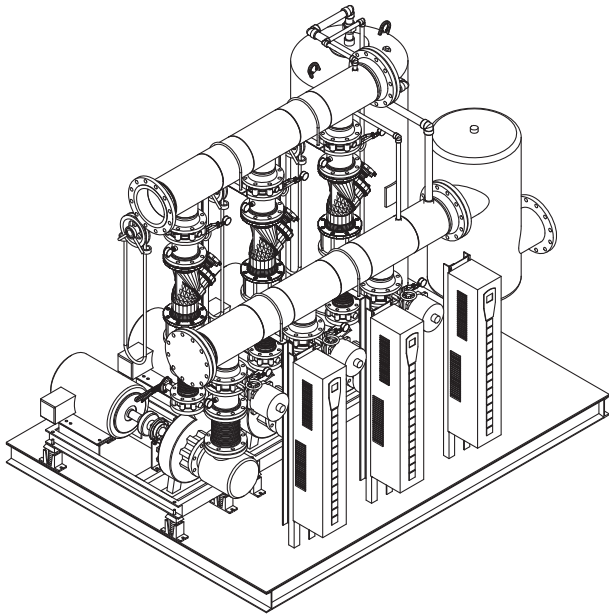


SKID B - HEAT EXCHANGERS



SKID C - SECONDARY PUMPS SCWP- 1,2,3





SKID C - SECONDARY PUMPS SCWP- 1,2,3